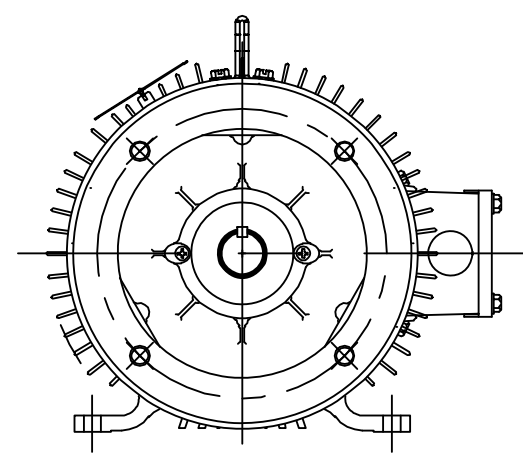
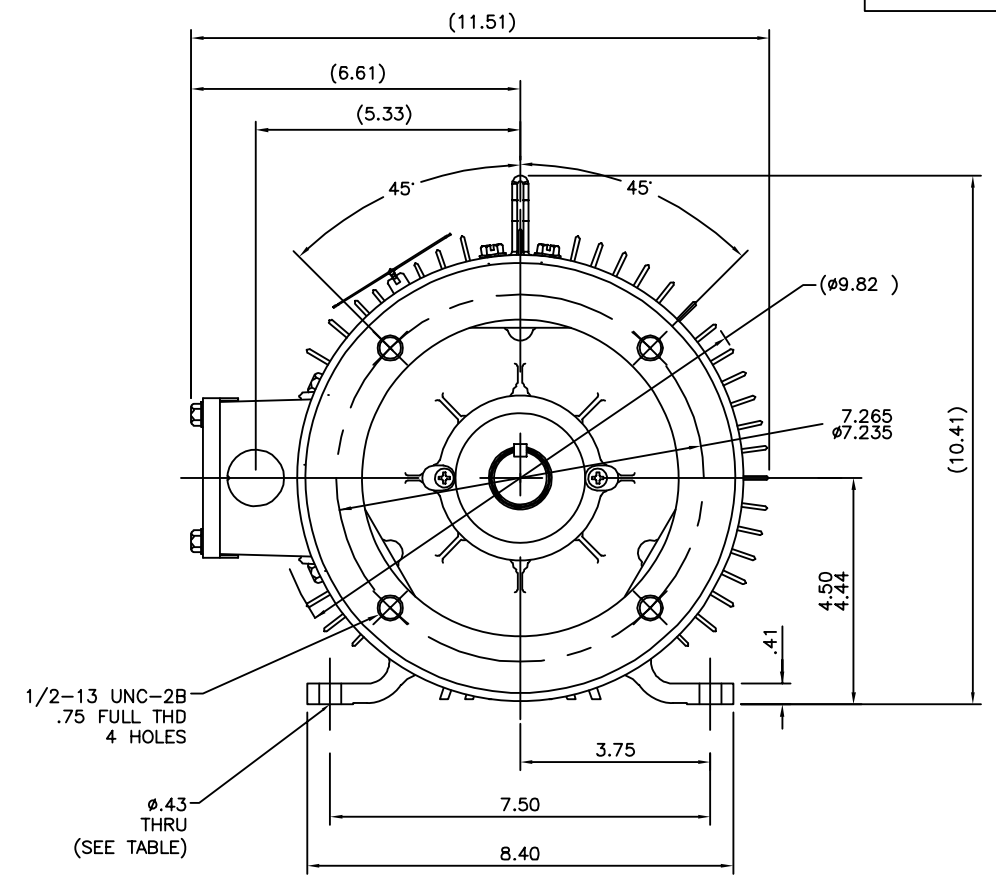
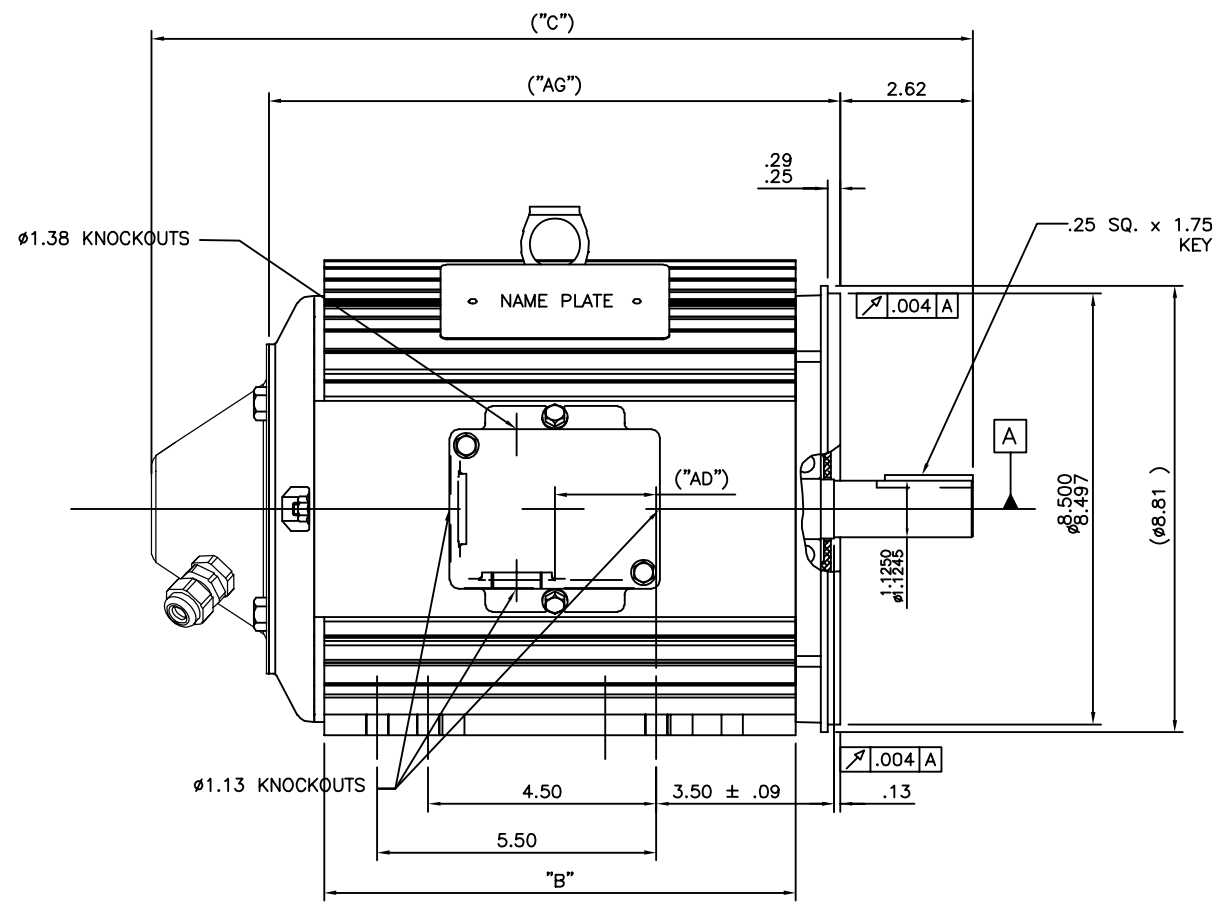


036118ME



F2 VIEW

DASH NO	"C"	"AD"	"B"	"AG"	FOOT HOLES
950	16.19	2.00	9.3	11.26	12

TOLERANCES UNLESS SPECIFIED		DRAWN PVR 02/03/15	
DEC.	INCHES	CHK	ST 02/03/15
.X	±.1	APPD	
.XX	±.03	TITLE 182/184T-RIGID-TENV-C FACE OUTLINE SCALE 3=8	
.XXX	±.005	REF 035851ME	
.XXXX	±.0005	MAT'L. ENCODER M.E. SUPPLIED FMF	
NO.	REVISION	BY & DATE	PREV
	THIS DRAWING IN DESIGN AND DETAIL IS OUR PROPERTY AND MUST NOT BE USED EXCEPT IN CONNECTION WITH OUR WORK ALL RIGHTS OF DESIGN AND INVENTION ARE RESERVED THIS IS AN ELECTRONICALLY GENERATED DOCUMENT - DO NOT SCALE THIS PRINT		REV.
	CHK ANG ±1/2'	FINISH	
	RFP	CAD FILE 036118ME	SIZE B DRAWING NO. 036118ME
	DIST		

